



Samsung
SMART Doorlock

Keyless & Safe

Leave your home
to the care of Samsung



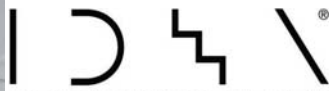
product
design award

2012



reddot
design award

winner 2012



INTERNATIONAL DESIGN
EXCELLENCE AWARDS '12

FINALIST

SHS-3320/3321

User-friendly Accessibility



User Access Code



RFID Card



Key Tag



Mechanical Override Keys (SHS-3320 only)

Powerful Security



Double Authentication Mode

With double authentication mode set up, both user access code and key tag must be authenticated to open the door, strengthening security.

Anti-theft Mode

Simply sets up the security mode that prevent the lock from being unlocked without your authorization.



Out-of-home security



In home security (Double Locking)



Intrusion Detection

By using a magnetic sensor, in the event of intrusion, the unit will sound the alarm.



Random Security Code

Two digital random security code which prevent someone to copy your PIN is available.

Convenience



Automatic Locking

Door lock will be locked automatically when your door is closed.



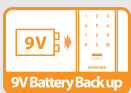
Keypad Volume Control

Volume adjustable (3 levels including mute)



Low Battery Warning Signal

A "beep" sound during door access will alert you to replace batteries



9V Battery Back up

When batteries are discharged, put 9V battery to back up power



Interface with Video Door Phone

The lock has interface with Samsung video door phone or home automation to unlock the door

Design



SHS-3320

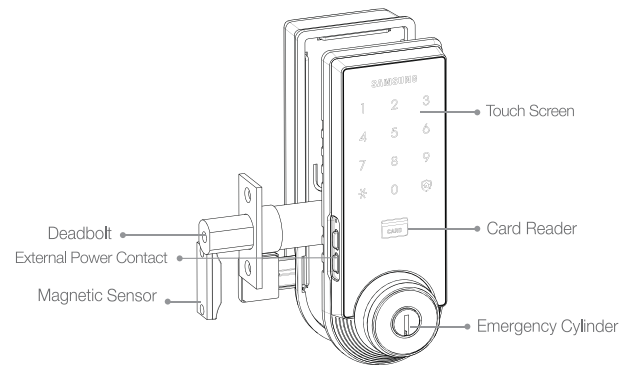


SHS-3321



Inner Body

Structure



Specification

RFID	ISO 14443A type (13.56Mhz)
User Access Code	Capacity : 4~12 Digit number combination
Mechanical Key (3320 only)	6 Pin bump proof, Groove side bar
Material	Zinc, Aluminum, Polycarbonate
Size (WxHxD)	Outer body: 68x180x36.5mm Inner body : 68x180x38.3mm
Lock Set	Deadbolt (GRADE 2, 60/70mm Adjustable)
Door Thickness	Applicable 35~55mm
Installation	American Standard 160/161 Prep Installation
Power	DC 6V (AA Alkaline batteries, 4pcs)
Battery Life	Approximately 12 months (Average – 10 times per day)